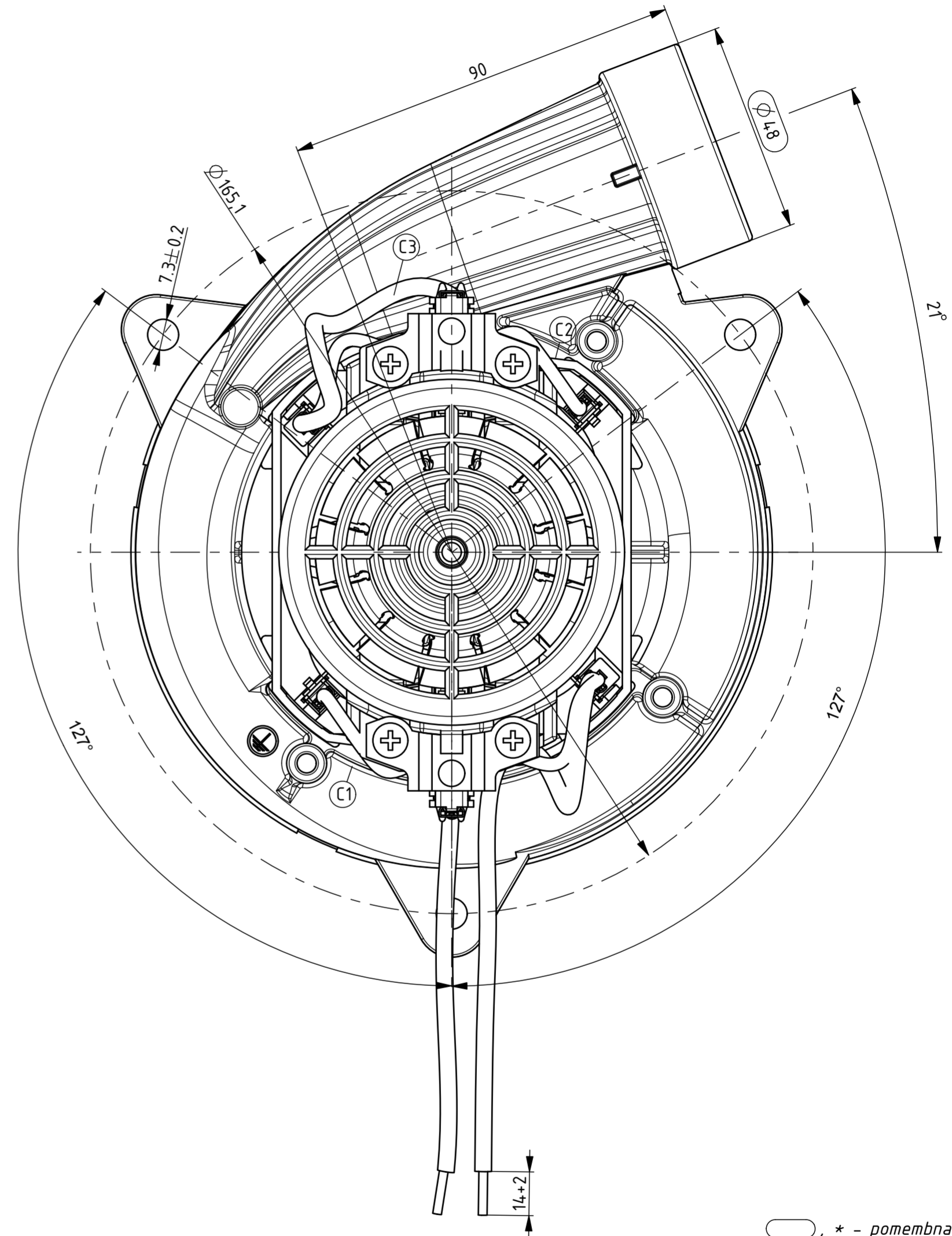
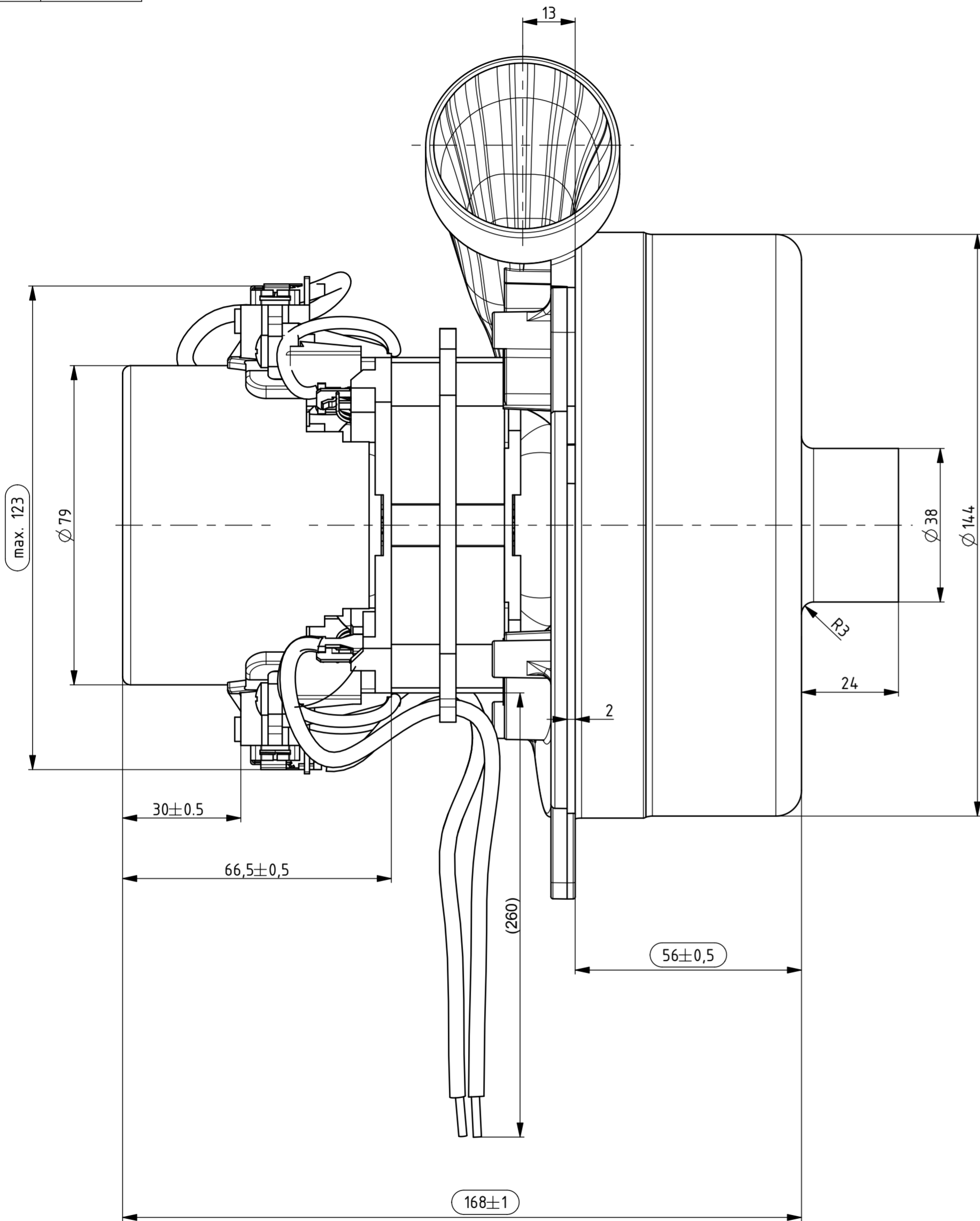


NAPETOST VOLTAGE	24 V
FREKVENCA FREQUENCY	DC
NAZIVNA MOČ NOMINAL POWER	300 W
MAKSIMALNA MOČ MAXIMAL POWER	300 W



○, \* - pomembna mera  
important dimension

All dimensions in mm.

OSNOVNE ZNAČILNOSTI		TYPICAL CHARACTERISTICS	
IZVEDBA	DVOSTOPENJSKA	FAN SYSTEM	TWO STAGE
VLEŽAJENJE	DVA KROGLIČNA LEŽAJA	BEARINGS	DUAL BALL
VRSTA PRETOKA	MIMO MOTORJA	DISCHARGE	BY PASS
SMER VRTENJA	LEVA	DIRECTION OF ROTATION	CCW
LABIRINTNA TULKA	DA	LABYRINTH SEAL SPACER	YES

Oznake natisnjene na SE:  
Information stamped on VCM:

DOMEL	24V DC
491.3.425-3	
XXXX	9100000958
MADE IN SLOVENIA	
<b>CE</b>	

Tolerance odprtih mer Tolerances without individual indications		Površinska hrapavost Surface finishing		Merilo Scale		Original format ISO 5457 - A2	
ISO 8015 ISO 2768 - mK				Gradivo / Material			
Datum/Date		Ime/Name		Naziv Title			
Izdelal Designed		8.7.2013		I. Potočnik		SESALNA ENOTA VACUUM CLEANER MOTOR	
Pregl. Verified		9.7.2015		J. Rihtaršič			
Ozn. Mark	Sf. obvestila Nr. of notice	Datum Date	Ime Name	Koda Code		List Sheet	
C3	11924	09.07.15	I. Potočnik	491.3.425-3		3+	
B1	11710	09.02.15	I. Potočnik			Stran Page	
A0	11559	05.11.14	I. Potočnik			1	
DOMEL® Otoki 21, 4228 Železniki, Slovenija				4913425003_SESALNA_ENOTA			

Izdelano s CAD/ProEngineer - ročno spreminjanje ni dovoljeno! Vsa prenos tretjim osebam ali uporaba v nedogovorjene namene ni dovoljena po zakonu o avtorskih pravicah. Made with CAD/ProEngineer - changing is not allowed! Any unauthorized copying of this drawing or unauthorized distribution of the information contained herein is prohibited.