

491.3.761

Vacuum cleaner motor performance

DOMEL®

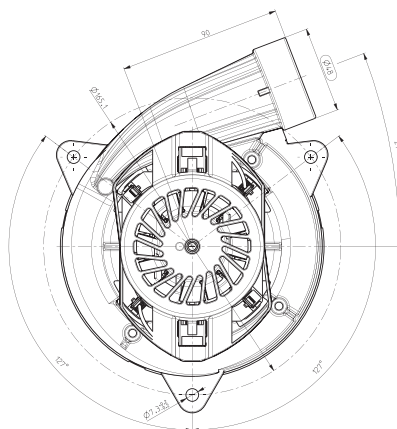
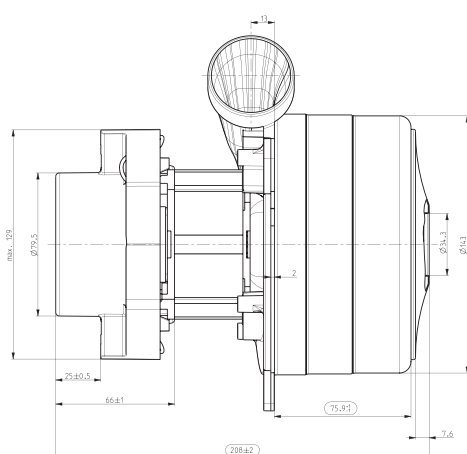
Tangential bypass discharge vacuum cleaner motors 491.3.761 /1750W / 230V / 50Hz are used for wet and dry aspiration. They are suitable for central vacuums. Technical data and dimensions are given in the table. Vacuum motors consist of universal commutator motor and three fan stages. The rotor is supported with two ball bearings enabling vertical or horizontal installation of motor. The motor is designed for insulation class 130 (B) and constructed according to EN 60335-1. The motor has provision for grounding.

Max. power 1850W

Technical data:

Normal operation:	P_m	\geq	1760	W
Vacuum:	P_{max}	\geq	32,7 131,1	kPa in H ₂ O
Air Flow at $\phi 50$:	$Q_{\phi 50}$	\geq	56 119	dm ³ /s CFM
Air Power:	P_{2max}	\geq	600	W
Efficiency:	η_{max}	\geq	33	%
Mass:	m	=	2,91	kg

Voltage:	230 V
Frequency:	50 Hz
Nominal Power:	1750 W



Dimensional and performance data are subject to change without notice.

Orifice		Current	Input Power	Speed	Pressure		Air Flow		Air power	Efficiency
mm	in*	A	W	min ⁻¹	kPa	in H ₂ O	dm ³ /s	CFM	W	%
50	2	8,42	1856	20670	1,5	5,5	58,7	124,9	89	4,8
40	1 1/2	8,43	1861	20650	3,4	17,7	56,2	116,4	193	10,4
30	1 1/8	8,45	1863	20599	8,6	40,7	49,5	100,4	426	22,8
23	7/8	8,47	1868	20584	16,2	68,7	39,1	79,1	633	33,9
19	3/4	8,21	1814	20979	21,0	84,0	30,0	63,9	629	34,7
16	5/8	7,81	1730	21699	24,1	97,4	22,7	47,5	548	31,7
13	1/2	7,28	1618	22693	27,2	110,3	15,8	32,2	430	26,6
10	3/8	6,66	1490	23988	29,9	121,4	9,8	19,2	293	19,7
6	1/4	5,93	1331	25712	32,2	129,4	4,3	9,0	139	10,5
0	0	5,34	1206	27538	34,4	138,0	0,0	0,0	0	0,0

Data above represent the performance of an average motor sample. Individual data may vary due to normal manufacturing variations.

* Orifice in inch is only approximative.