

463.3.401

Vacuum cleaner motor performance

DOMEL®

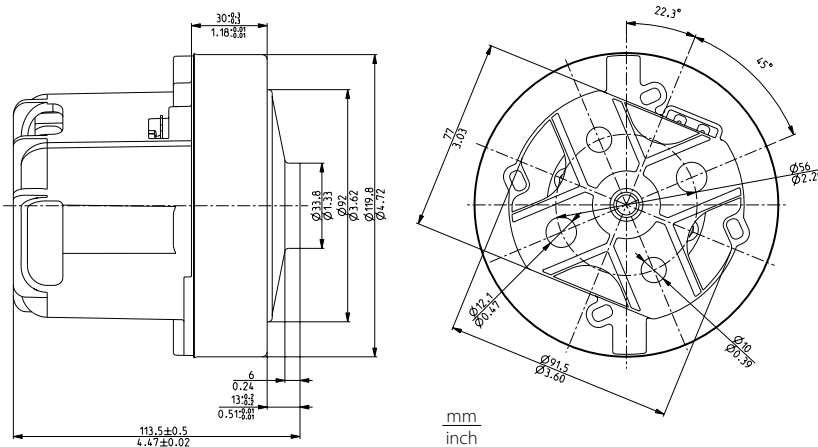
Vacuum cleaner motors with high efficiency 463.3.401 / 1950W / 230V / 50Hz are used for dry aspiration. Technical data and dimensions are given in the table. Vacuum cleaner motors consist of universal commutator motor and single fan stage. The rotor is supported with two ball bearings enabling vertical or horizontal installation of motor. The motor is designed for insulation class 180 (H) and constructed according to EN 60335-1.

Technical data:

Input Power:	P_{1max}	\geq	1840	W
Vacuum:	P_{max}	\geq	30,5 122,6	kPa in H ₂ O
Air Flow:	Q_{max}	\geq	46 97	dm ³ /s CFM
Air Power:	P_{2max}	\geq	665	W
Efficiency:	η_{max}	\geq	39	%
Mass:	m	=	1,16	kg

Voltage:	230 V
Frequency:	50 Hz
Max Power:	1950 W

Max power 1950W



Dimensional and performance data are subject to change without notice.

Orifice		Current	Input Power	Speed	Pressure		Air Flow		Air power	Efficiency
mm	in*	A	W	min ⁻¹	kPa	in H ₂ O	dm ³ /s	CFM	W	%
50	2	8,83	1936	43040	1,1	4,2	48,8	103,4	51	2,6
40	1 1/2	8,78	1924	43220	2,5	10,2	48,5	102,7	123	6,4
30	1 1/8	8,57	1886	43840	7,1	28,6	45,2	95,7	321	17,0
23	7/8	8,18	1806	45240	15,4	61,7	38,2	80,9	587	32,5
19	3/4	7,70	1705	46840	22,6	90,7	31,0	65,7	700	41,1
16	5/8	7,20	1595	48840	27,6	111,0	24,0	50,9	663	41,6
13	1/2	6,66	1475	51300	31,1	124,9	16,7	35,4	519	35,2
10	3/8	6,09	1354	54360	32,4	130,2	10,1	21,4	328	24,2

Data above represent the performance of an average motor sample. Individual data may vary due to normal manufacturing variations.

* Orifice in inch is only approximative.